



# 934-431

Lv7 2021-r3

Modelo-model:

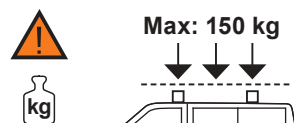
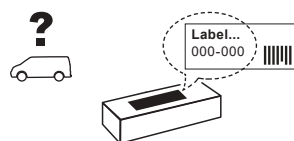
## Kit soportes LCV

Lote-Lot-Lot-Lot:

**01-20**

Peso-Weight-Poids-Gewicht:

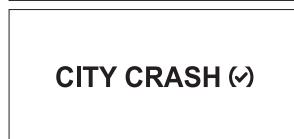
**3,35 kg**



CEE - EEC type approval:

**E9** 26 R- 04 3022

**E9** 26 R- 04 3024

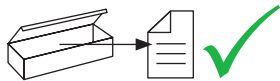


CRUZBER SA  
ES-A14018311  
P.I. Las Salinas II  
14960 - Rute - Spain  
www.cruzber.com

- |              |   |                         |
|--------------|---|-------------------------|
| <b>(E)</b>   | <b>Instrucción de montaje</b><br>¡Leer primero!           | Kit fijación            |
| <b>(GB)</b>  | <b>Assembly instructions</b><br>Read first!               | Fixation Kit            |
| <b>(F)</b>   | <b>Instruction de montage</b><br>Lire en premier!         | Kit fixation            |
| <b>(D)</b>   | <b>Montageanleitung</b><br>Zuerst lesen!                  | Stützfuß-Kit            |
| <b>(PT)</b>  | <b>Instruções de montagem</b><br>Ler primeiro!            | Kit fixação             |
| <b>(PL)</b>  | <b>Instrukcja montażu</b><br>Najpierw przeczytaj!         | Element mocujący        |
| <b>(CZ)</b>  | <b>Montážní návod</b><br>Čtěte pozorně!                   | Fixační kit             |
| <b>(HU)</b>  | <b>Szerelési Utasítás</b><br>Először olvassd el!          | Rögzítő készlet         |
| <b>(RO)</b>  | <b>Instructiuni de montaj</b><br>Intai cititi!            | Kit de fixare           |
| <b>(HR)</b>  | <b>Detaljne upute</b><br>Prvo pročitati!                  | Kit za montažu          |
| <b>(GR)</b>  | <b>Διαβάστε προσεκτικά τις</b><br>Οδηγίες Συναρμολόγησης! | Κιβώτιο (Kit) Επισκευής |
| <b>(TR)</b>  | <b>Öncelikli montaj:</b><br>Talimatlarını okuyunuz!       | Montaj kiti             |
| <b>(RU)</b>  | <b>Инструкции по монтажу</b><br>Сначала прочитайте!       | Крепежный комплект      |
| <b>(I)</b>   | <b>Istruzioni di montaggio</b><br>Leggere per primo!      | Kit di fissaggio        |
| <b>(NL)</b>  | <b>Montagehandleiding</b><br>Eerst lezen!                 | Bevestigingsset         |
| <b>(SLO)</b> | <b>Navodila za sestavljanje</b><br>Preberite!             | Kit za pričvrstitev     |



1.



(E) Contenido embalaje: ¡Verificar!

(GB) Package content: Check!

(F) Contenu d'emballage: Vérifier!

(D) Packungsinhalt: Überprüfen!

(PT) Contéudo embalagem:  
Verificar!

(PL) Zawartość opakowania:  
sprawdź!

(CZ) Obsah balení: Zkontrolujte!

(HU) Csomag tartalma: Ellenőrizd!

(RO) Pachetul contine: Verificati!

(HR) Sadržaj paketa: Provjeri!

(GR) Ελέγξτε το περιεχόμενο του  
πακέτου!

(TR) Paket içeriğini: Control ediniz!

(RU) Содержание упаковки:  
Проверьте!

(I) Contenuto della confezione:  
Controllare!

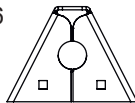
(NL) Pakket inhoud: Controleer!

(SLO) Vsebina paketa: Preverite!

x1

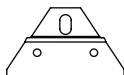


x6



(500)

x6



x6



1x (891)

1x (892)

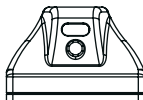
2x (893)

2x (894)

2x (012-231)

4x (012-232)

x6



(813-073)

x5



1x (805-033)

1x (810-100)

1x (810-117)

1x (810-118)

1x (810-181)

2. 



50x30 mm



52x35 mm  
Aluminium



**pág. 3,4,5,6,7,8,9,10**



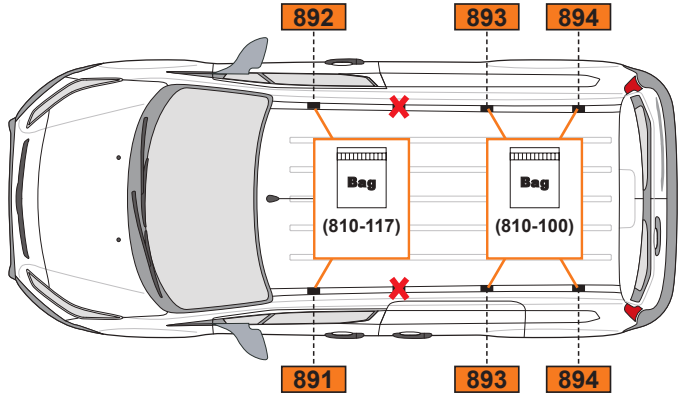
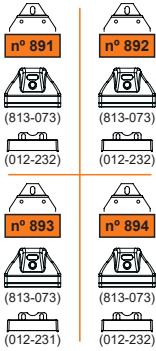
**pág. 3,4,5,6,11,12,13,14**



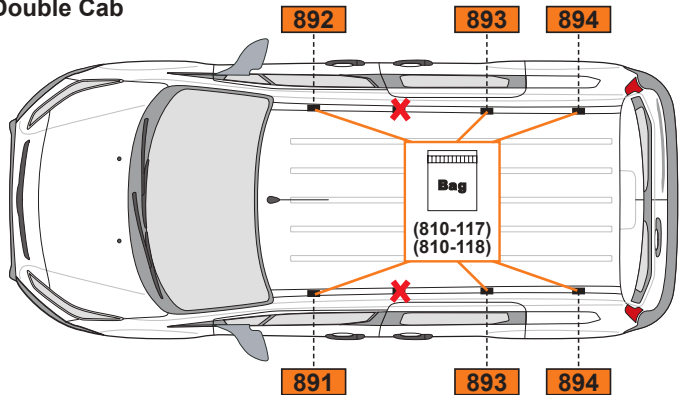
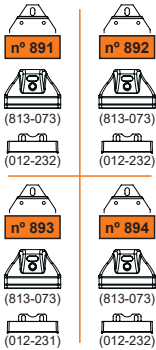
**pág. 3,4,5,6,15,16,17,18**

### 3.

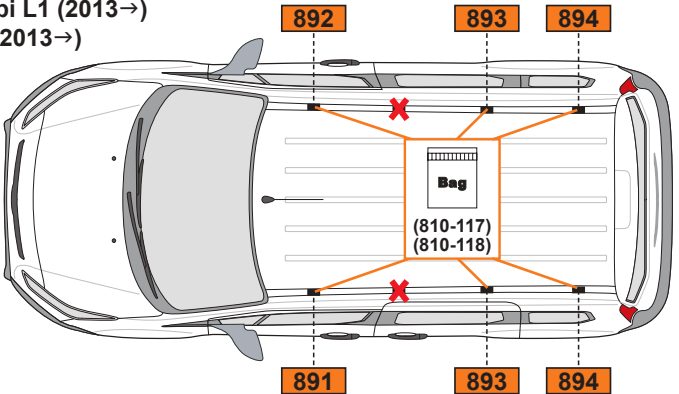
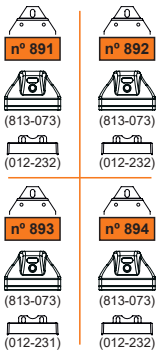
#### Transit Connect Van L1 (2013→)



#### Transit Connect Van Double Cab L1 (2013→)

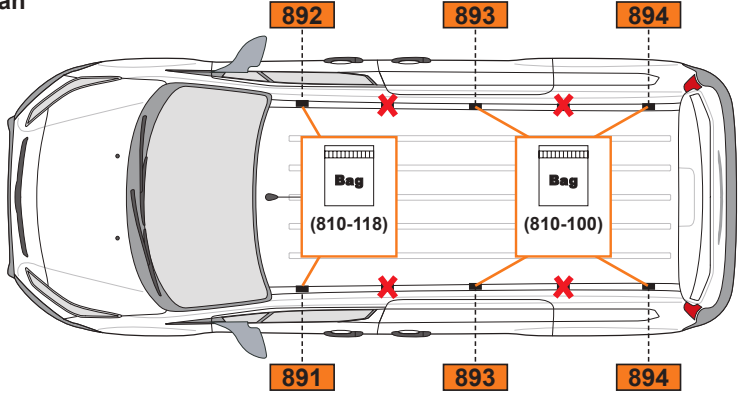
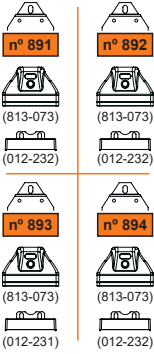


#### Transit Connect Kombi L1 (2013→) Tourneo Connect L1 (2013→)

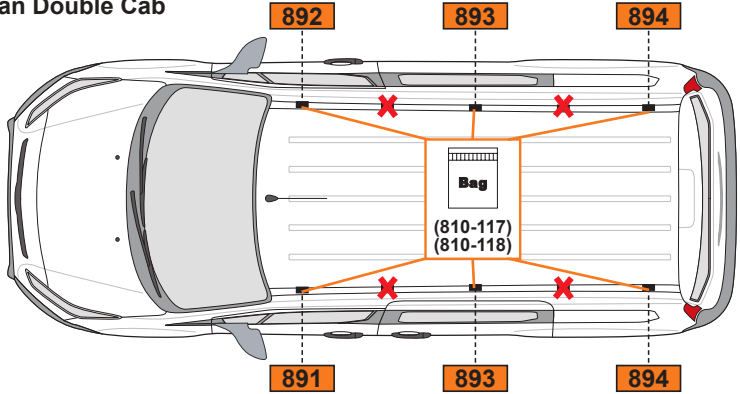
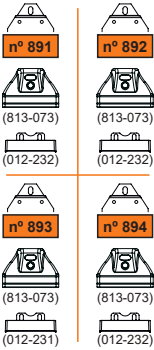


# 4.

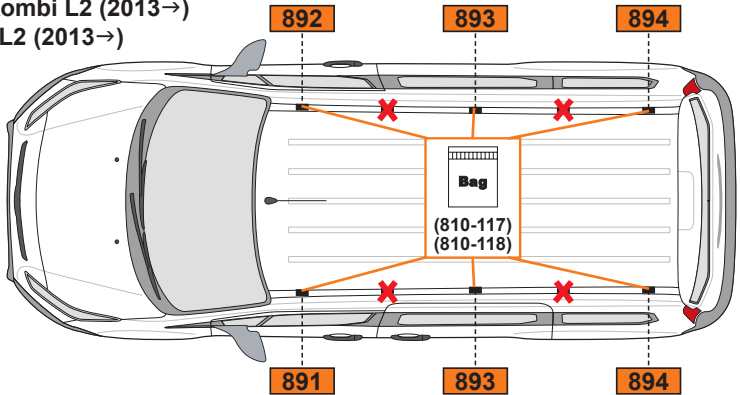
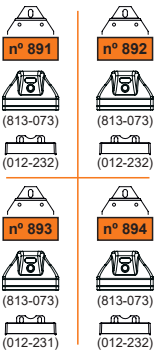
## Transit Connect Van L2 (2013→)



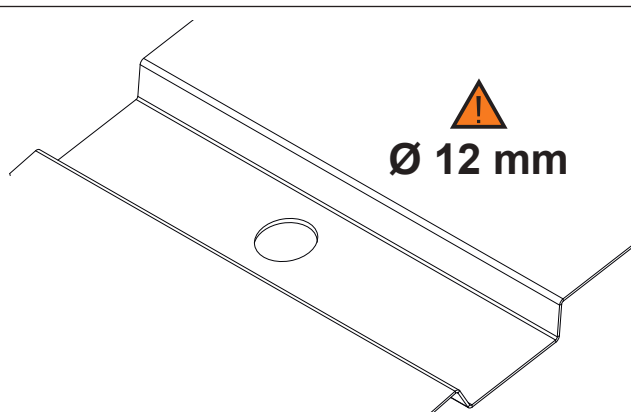
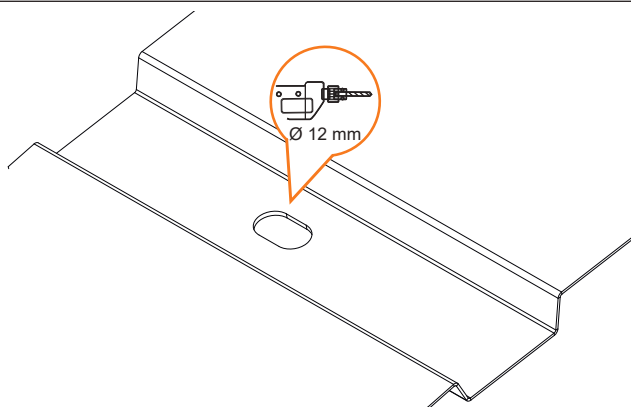
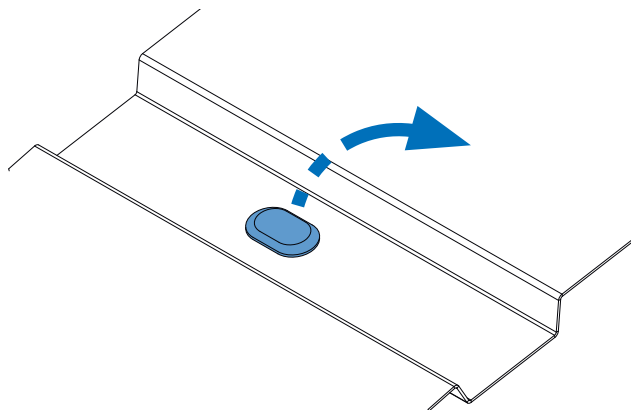
## Transit Connect Van Double Cab L2 (2013→)



## Transit Connect Kombi L2 (2013→) Tourneo Connect L2 (2013→)



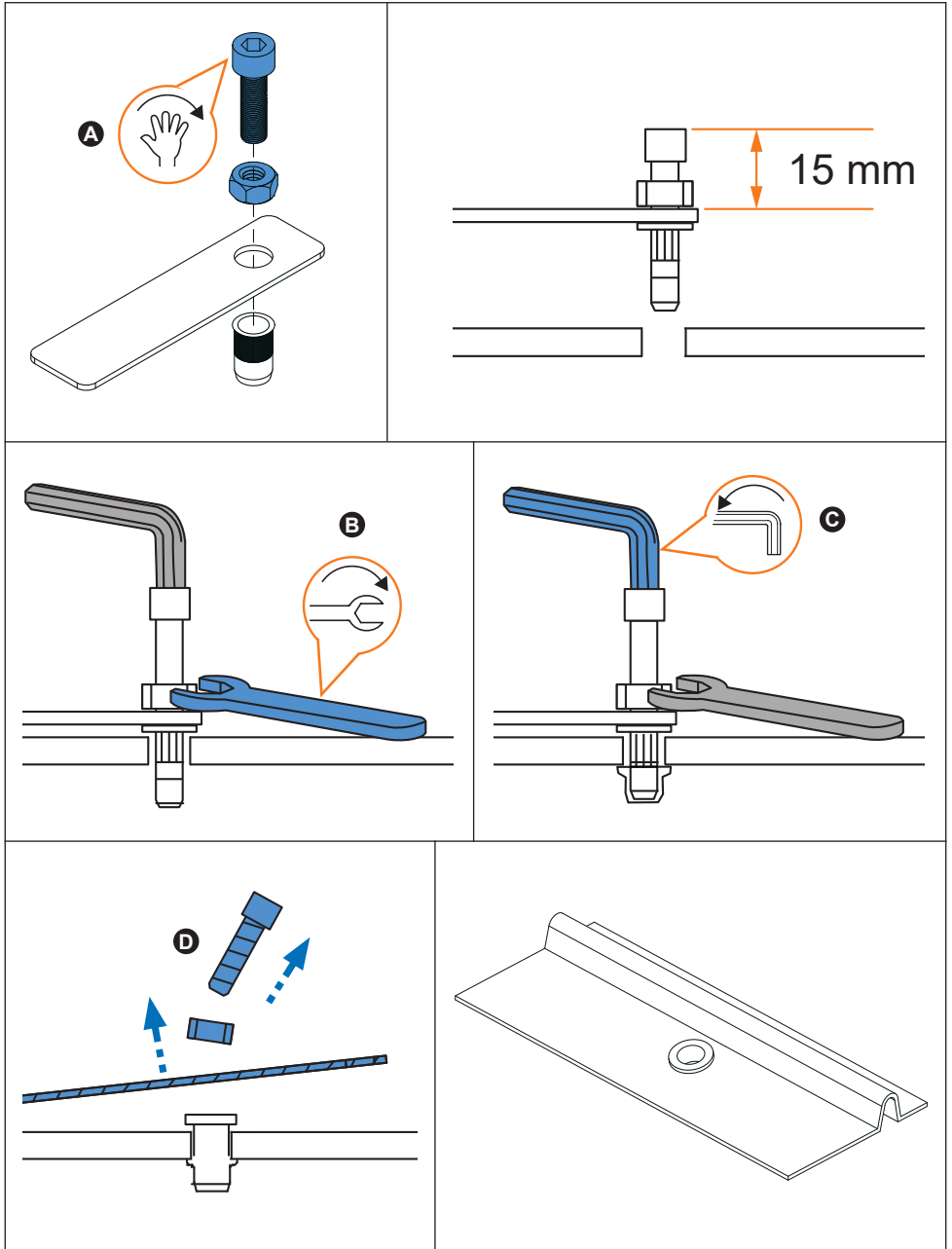
5. 



6. 



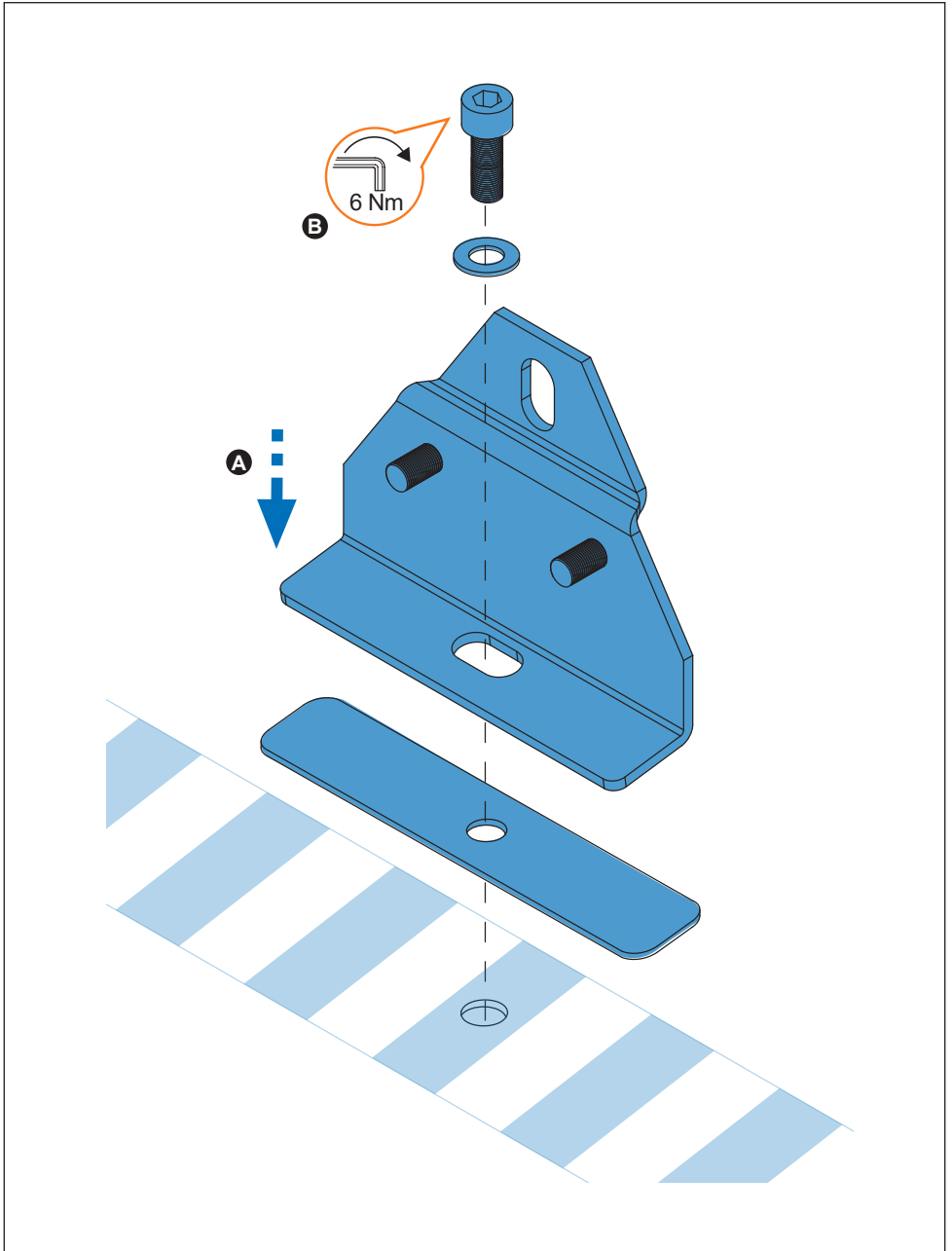
810-117  
810-118



7. 



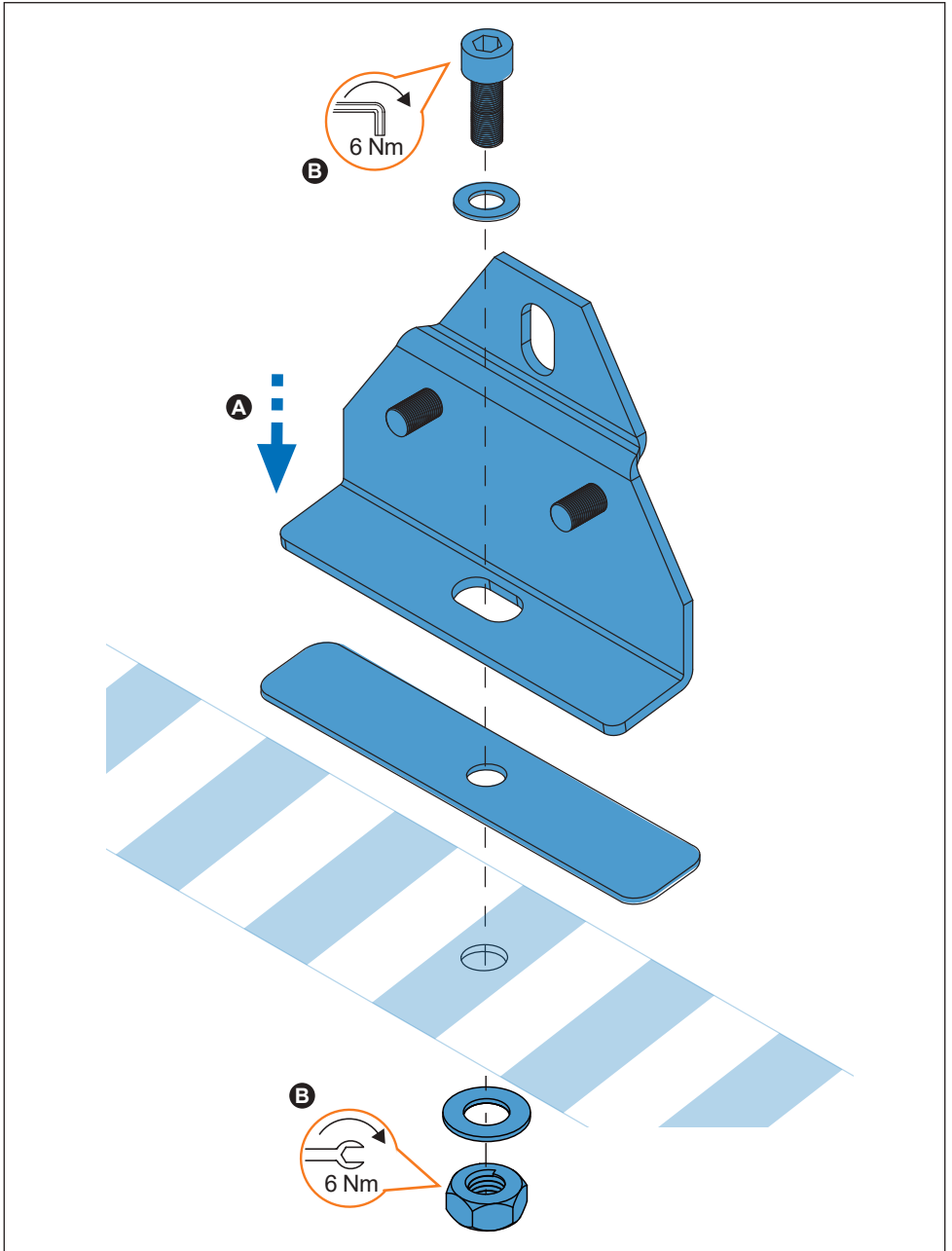
810-117  
810-118



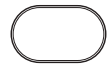
8. 



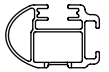
810-100



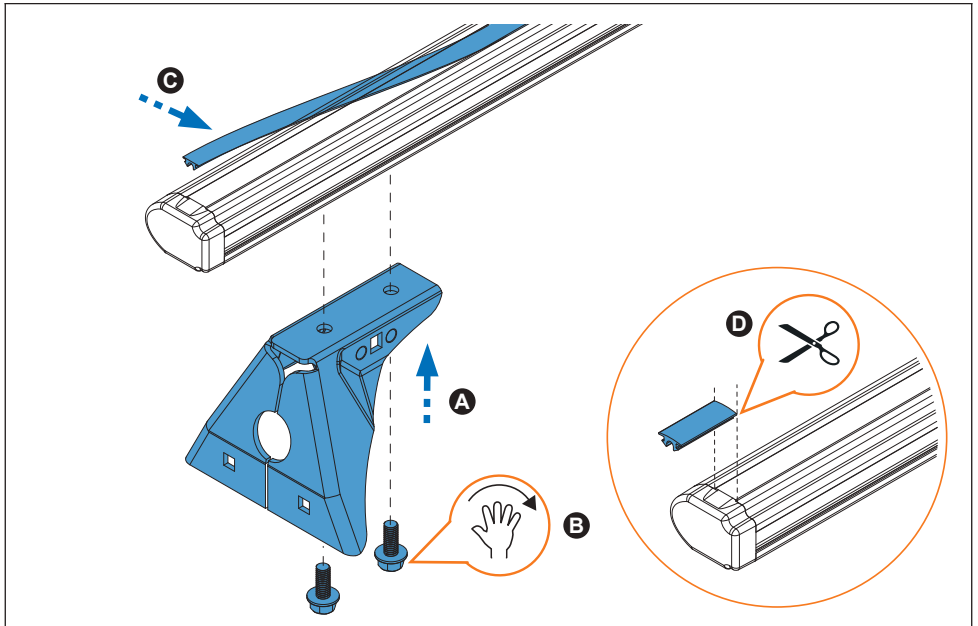
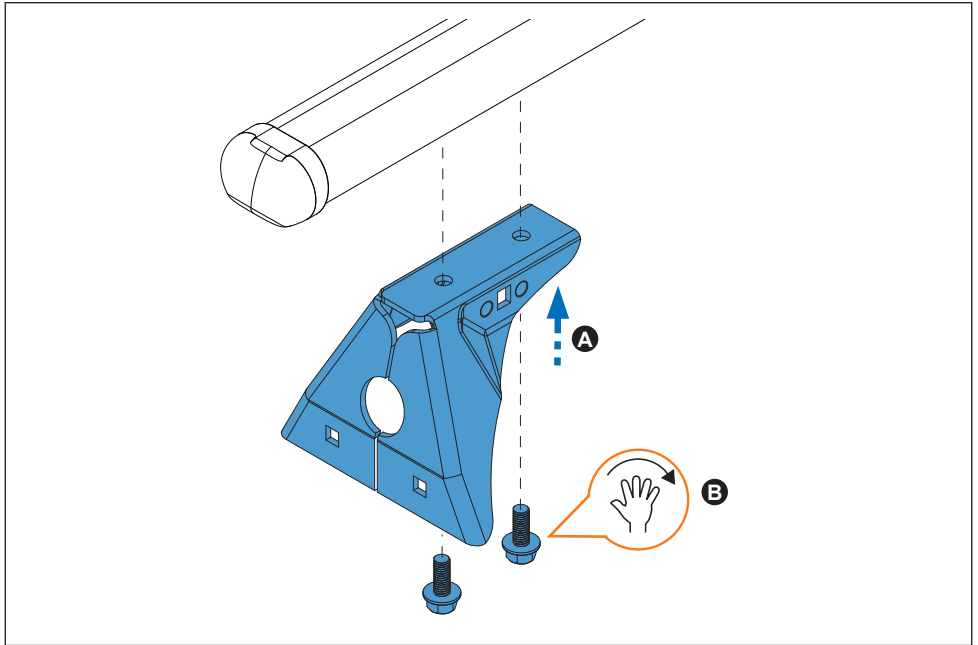
9. 



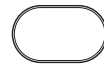
50x30 mm



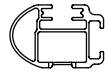
52x35 mm  
Aluminium



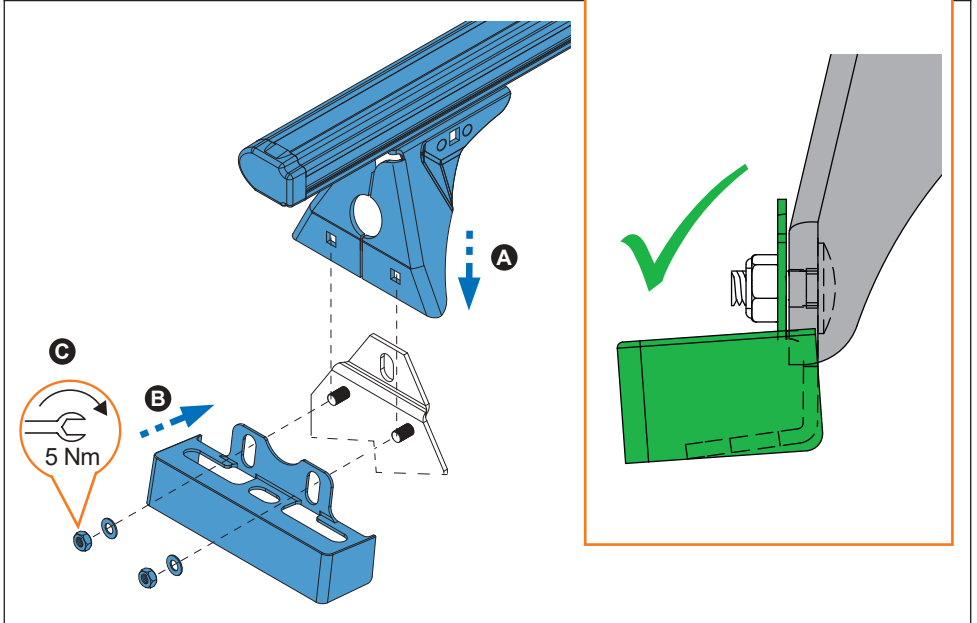
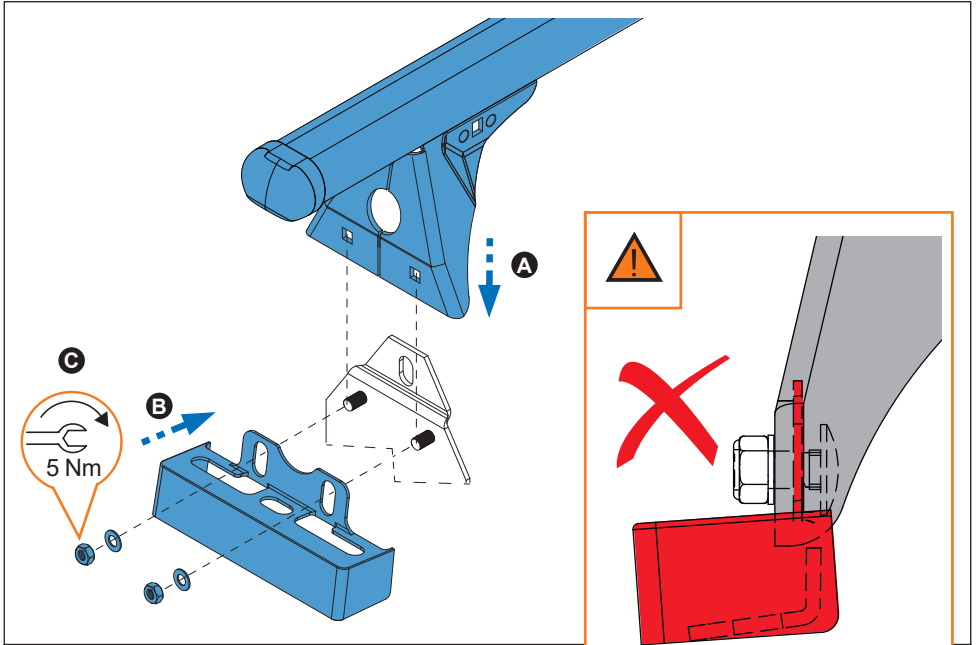
10.



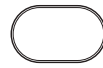
50x30 mm



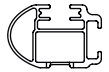
52x35 mm  
Aluminium



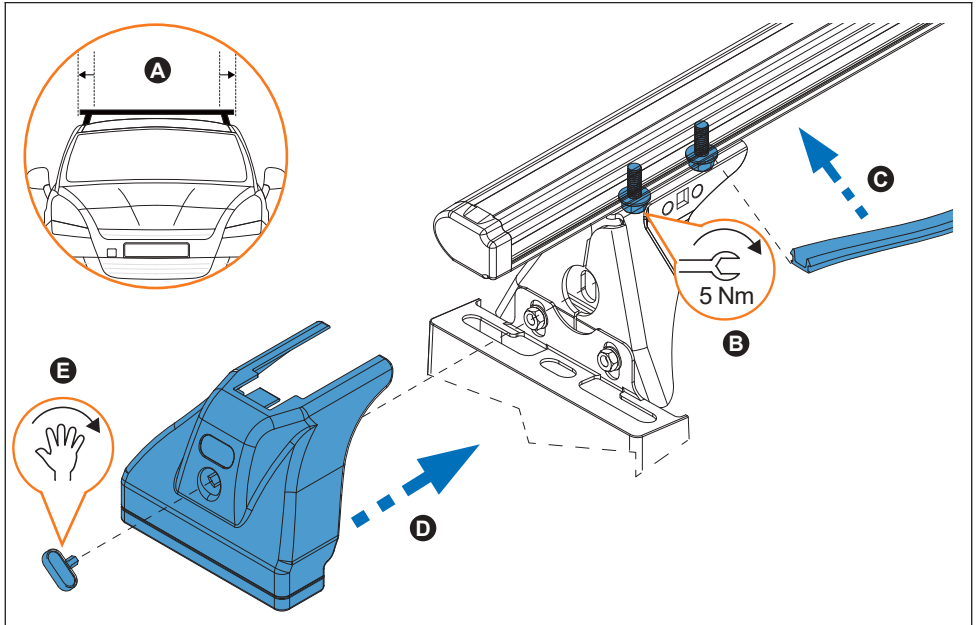
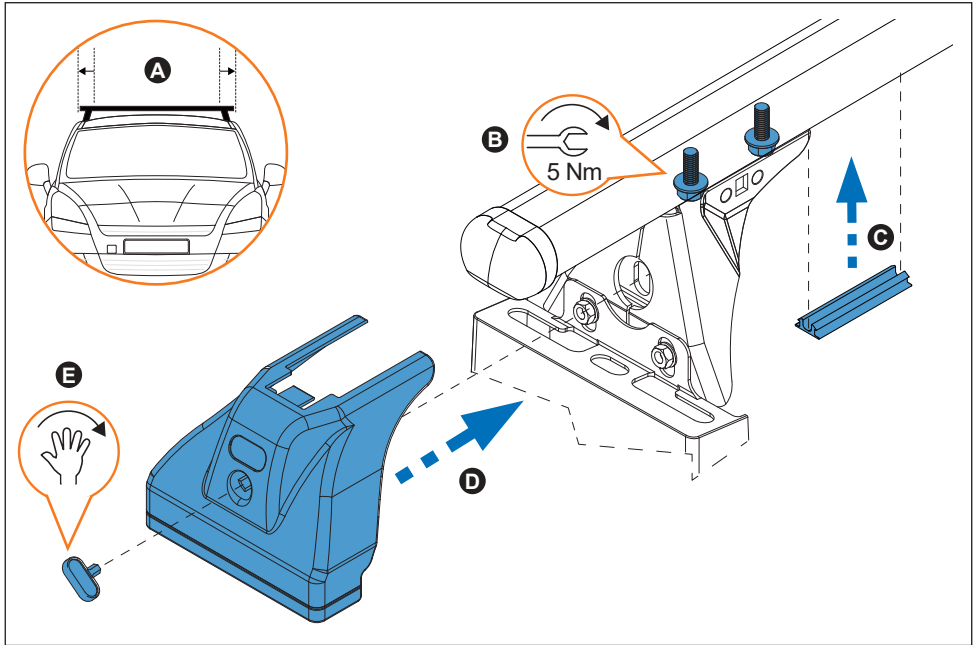
11.



50x30 mm



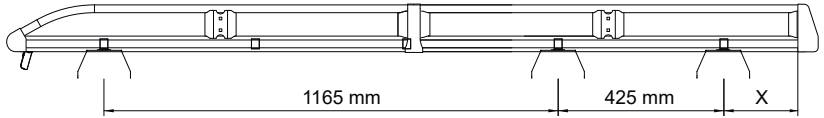
52x35 mm  
Aluminium



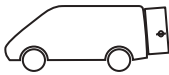
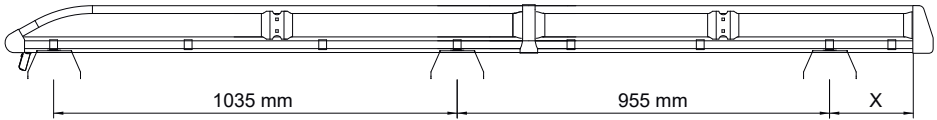
12.



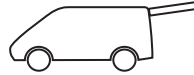
**L1**



**L2**



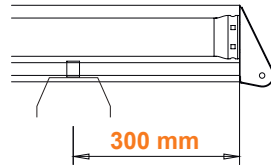
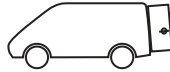
L1 X = 285 mm  
L2 X = 335 mm



X = 155 mm

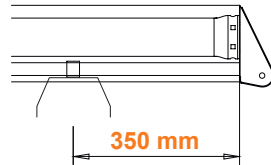
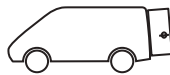


**L1**



300 mm

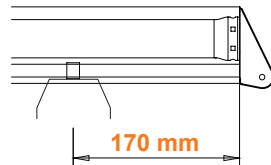
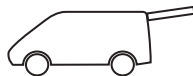
**L2**



350 mm

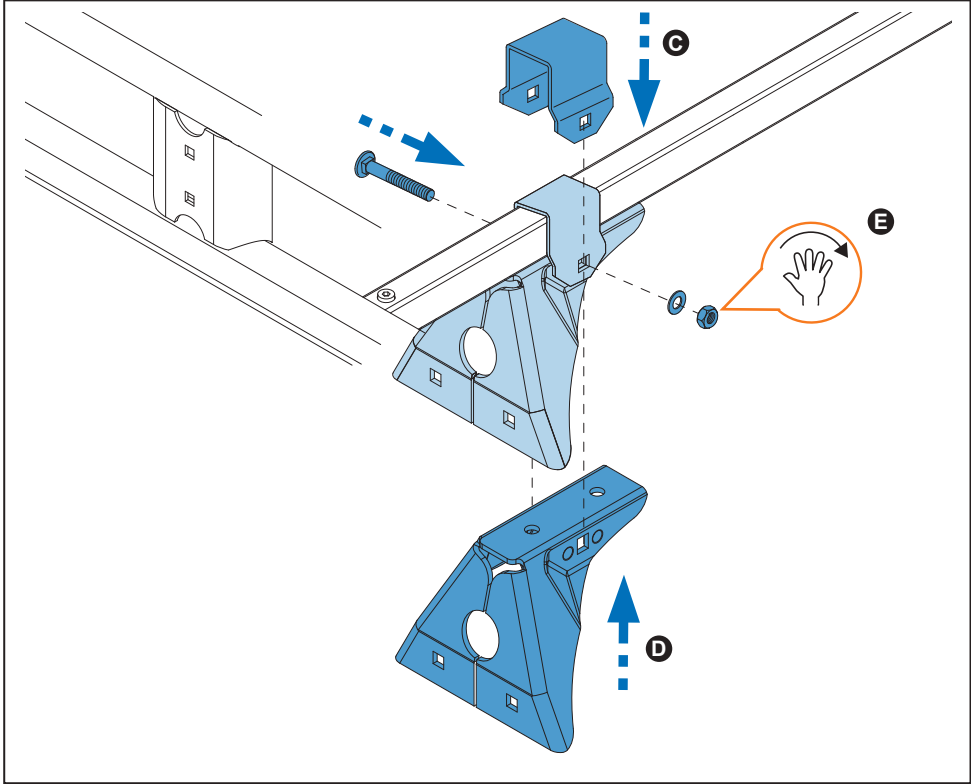
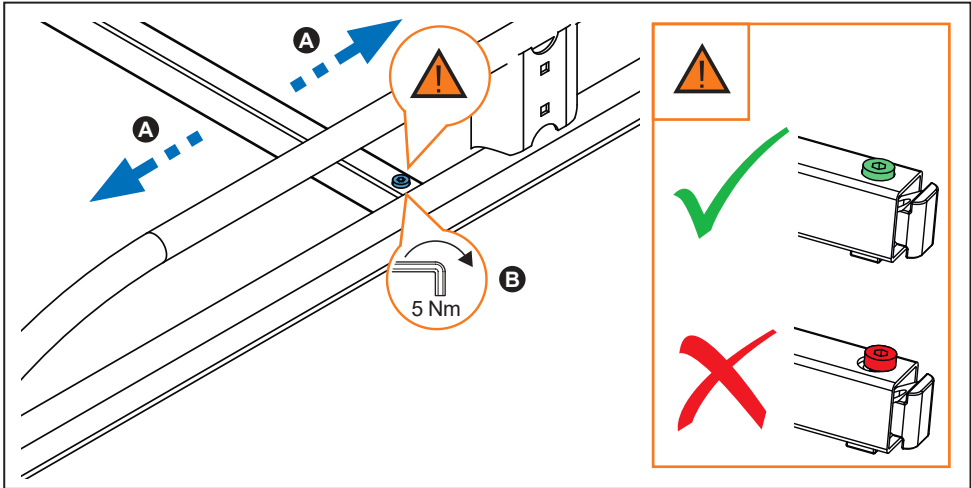
**OPTIONAL  
OPCIONAL**

**941-109**

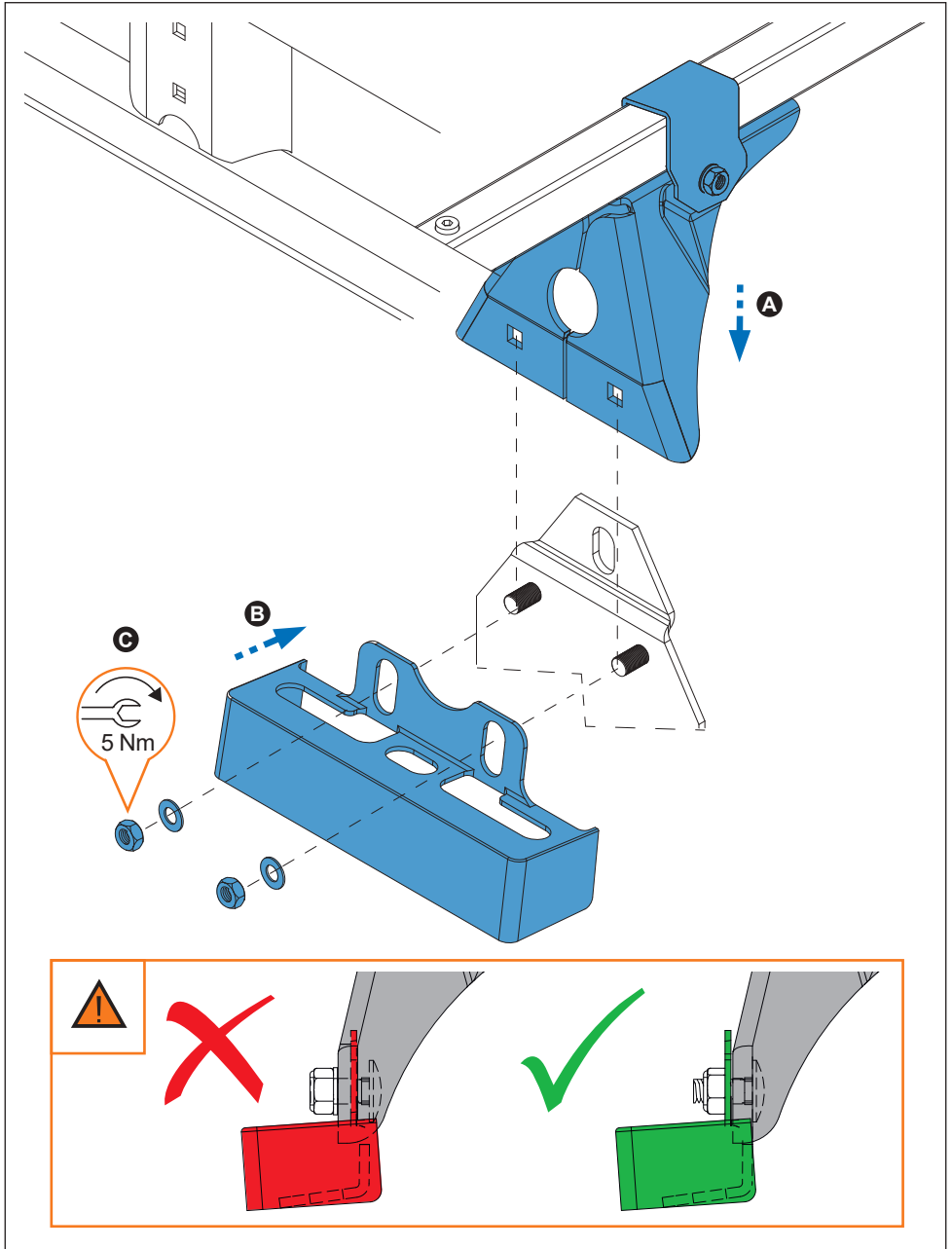


170 mm

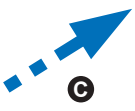
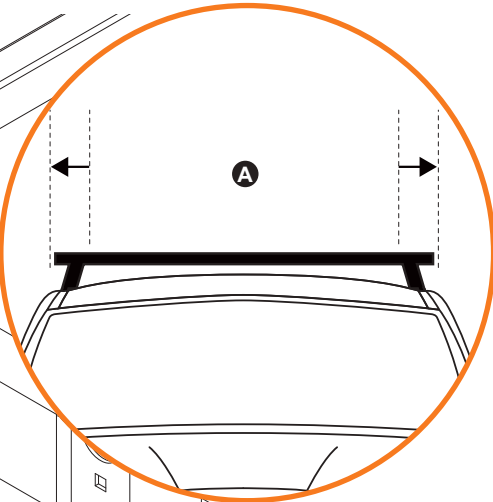
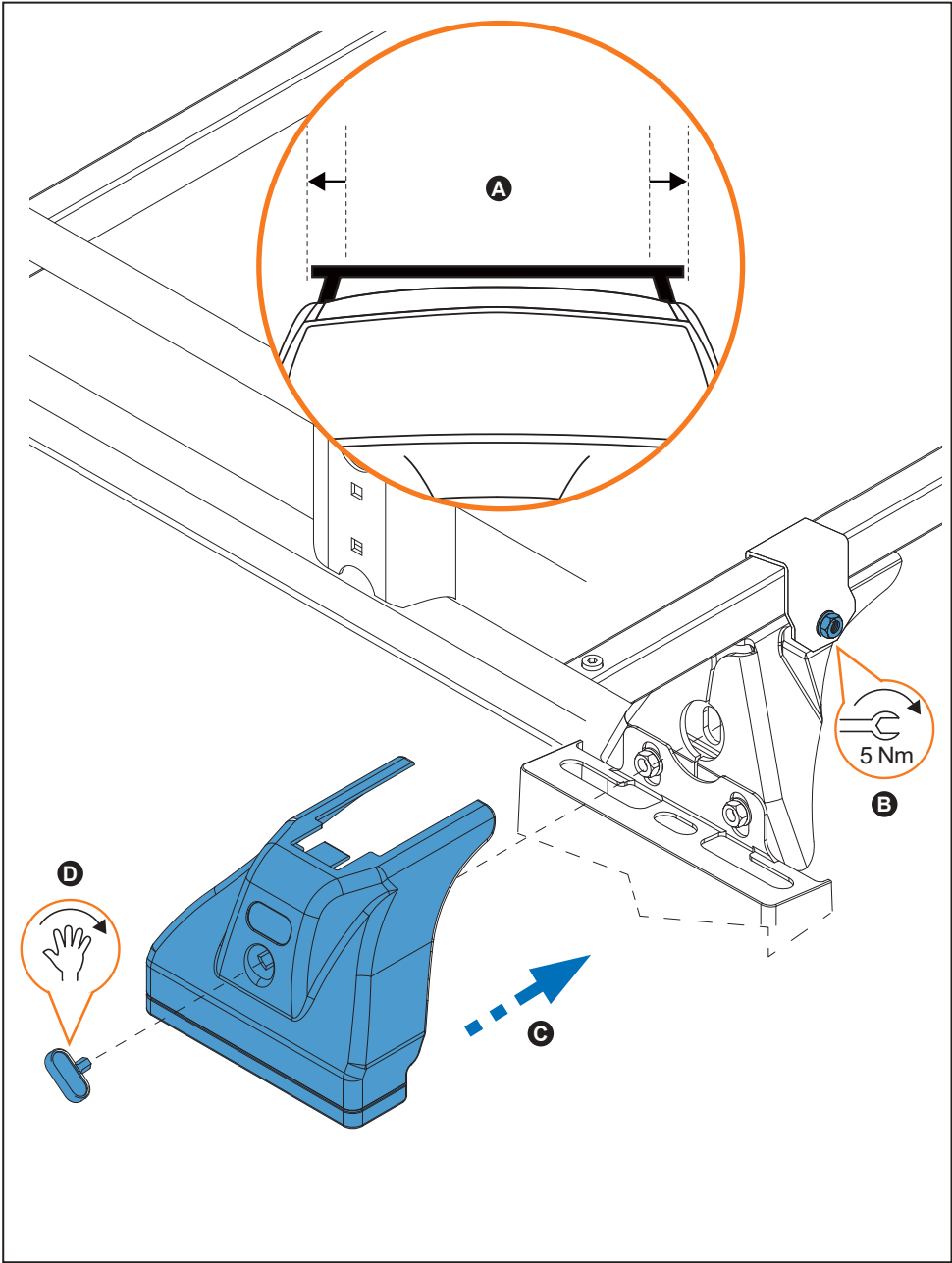
13.



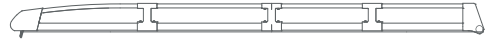
14.



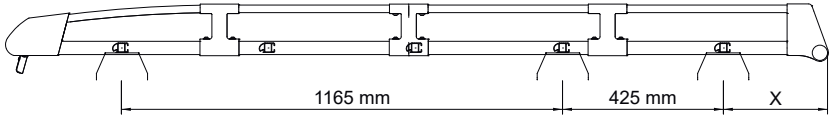
15.



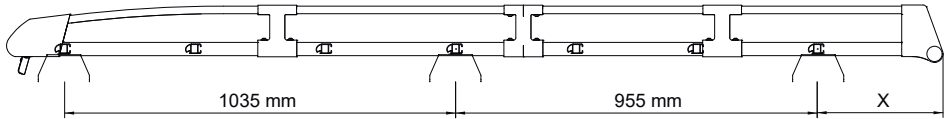
16.



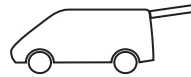
L1



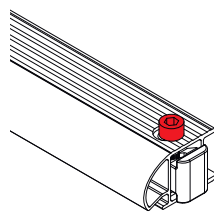
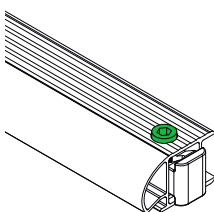
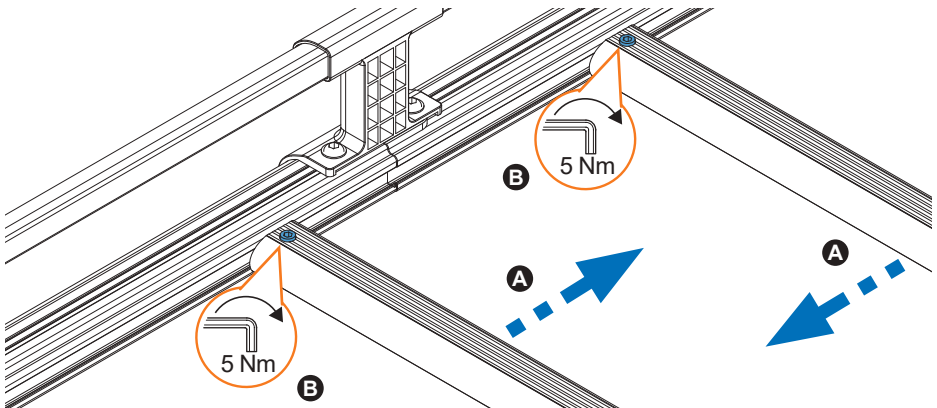
L2



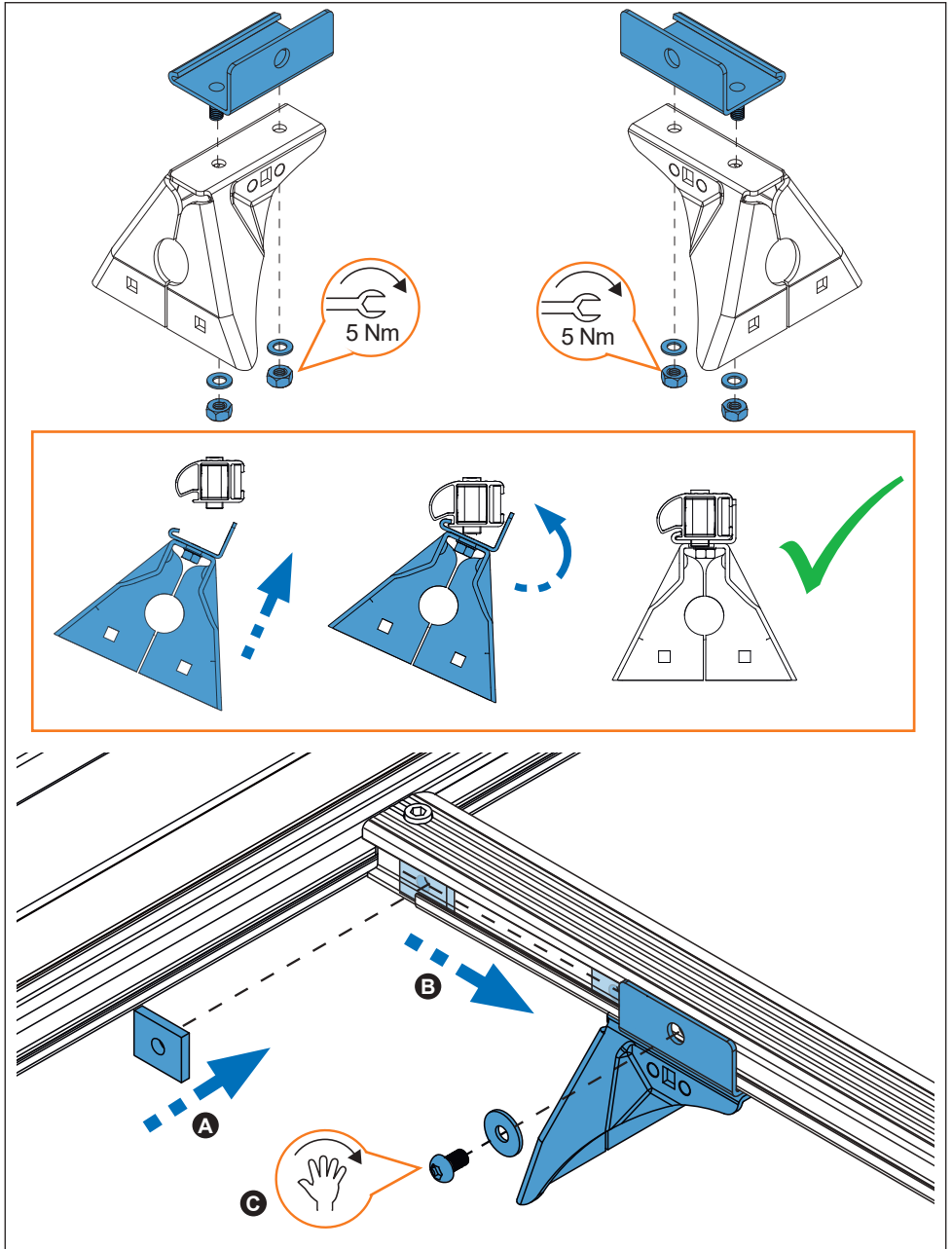
L1 X = 300 mm  
L2 X = 350 mm



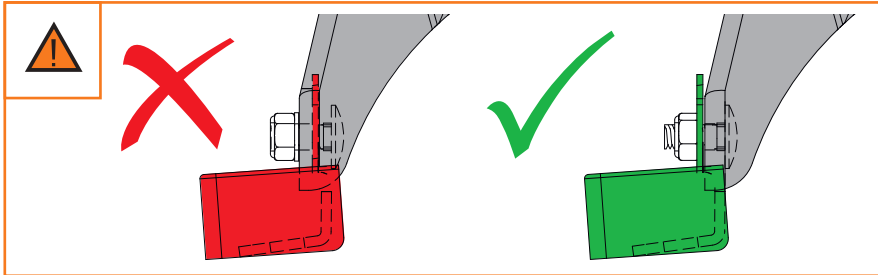
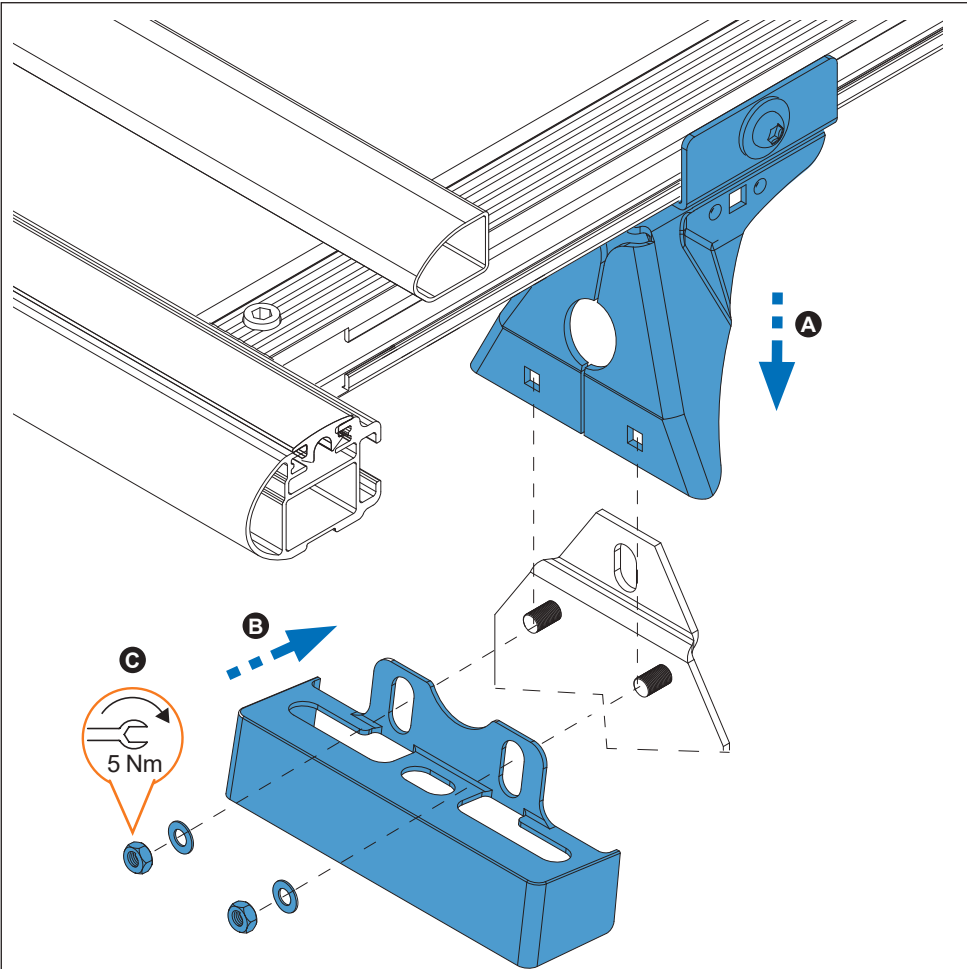
X = 170 mm



17.



18.



19.

